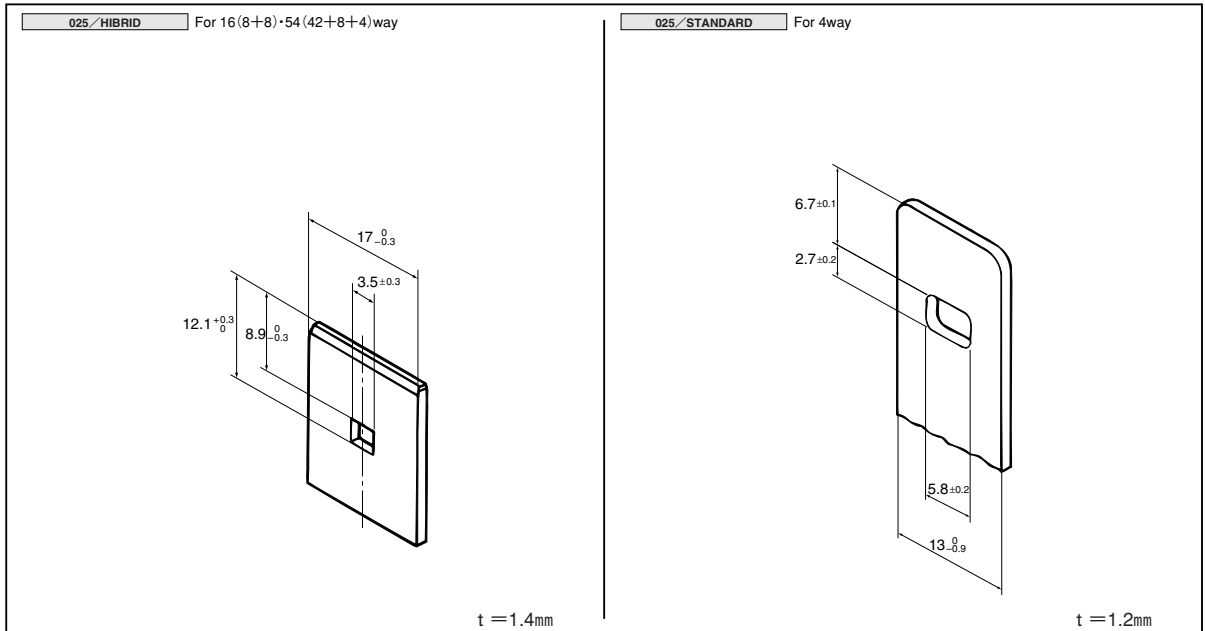


## Bracket for attaching (UNIT: mm)



Note) The dimensions as shown here are reference dimensions and detail dimensions for mounting portion of the bracket are specified in the official drawing. Please contact our sales staff.